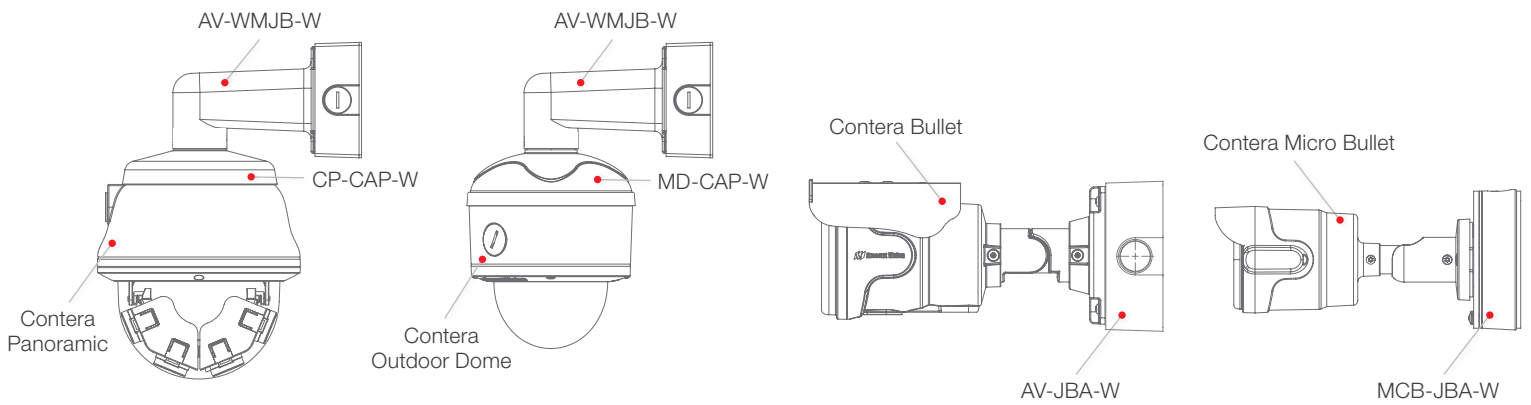


# Contera® IP Camera Accessories

Accessories for Contera IP Series Outdoor Mounting Solutions



## Mounting Configurations



## Compatible Cameras



**CP-CAP-W**  
Mounting Cap (White)

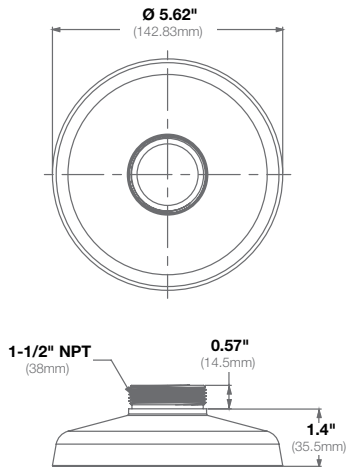


**Features:**

- Easy Installation and Superior Design
- Heavy Duty Enclosure Protection for Applications in Harsh Environments
- Die-Cast Aluminum is Resistant to Impact and Salt Damage

<b>Compatibility</b>	Compatible with 1.5" NPT standard
	Works with Contera Panoramic

<b>Mechanical</b>	<b>Casing</b>	Die-Cast Aluminum
		IP66 Weather Proof Standard
		IK-10 Impact-Resistant
	<b>Color</b>	White (Pantone P179-1C)
	<b>Dimensions</b>	Ø 5.62" (142.8mm) x 1.4" H (35.5mm)
	<b>Weight</b>	<b>w/o Camera</b> 0.53lbs (0.238kg)



**MD-CAP-W**  
Mounting Cap (White)

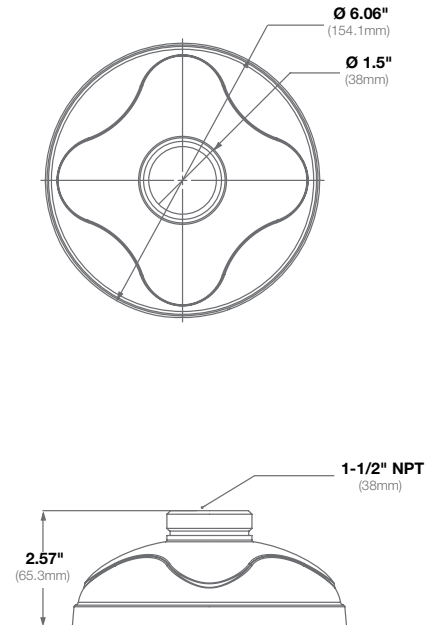


**Features:**

- Easy Installation and Superior Design
- Heavy Duty Enclosure Protection for Applications in Harsh Environments
- Die-Cast Aluminum is Resistant to Impact and Salt Damage

<b>Compatibility</b>	Compatible with 1.5" NPT standard
	Works with Contera Outdoor Dome

<b>Mechanical</b>	<b>Casing</b>	Die-Cast Aluminum
		IP66 Weather Proof Standard
		IK-10 Impact-Resistant
	<b>Color</b>	White (Pantone P179-1C)
	<b>Dimensions</b>	Ø 6.06" (154.1mm) x 2.57" H (65.3mm)
	<b>Weight</b>	<b>w/o Camera</b> 1.02lbs (0.465kg)



## AV-JBA-W

Square Standard Junction Box (White)

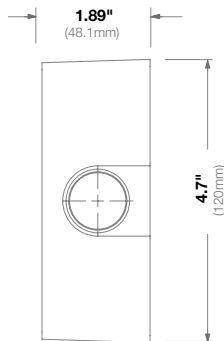
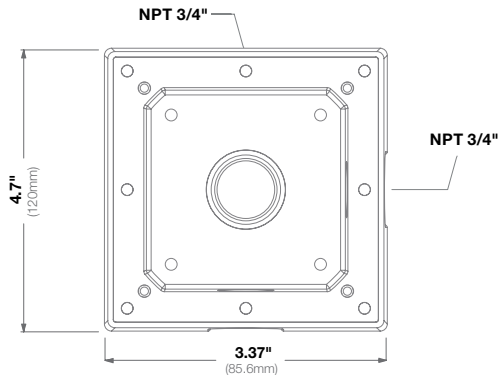


**Features:**

- Easy Installation and Superior Design
- Heavy Duty Enclosure Protection for Applications in Harsh Environments
- Die-Cast Aluminum is Resistant to Impact and Salt Damage

<b>Compatibility</b>	Compatible with 3/4" NPT standard
	Works with Contera Bullet

<b>Mechanical</b>	<b>Casing</b>	Die-cast aluminum
		IP66 weather proof standard
		IK-10 impact-resistant
	<b>Color</b>	White (Pantone P179-1C)
	<b>Dimensions</b>	4.7" L (120mm) x 4.7" W (120mm) x 1.89" H (48.1mm)
<b>Weight</b>	<b>w/o Camera</b>	1.3lbs (0.63kg)



## MCB-JBA-W

Round Junction Box Adapter (White)



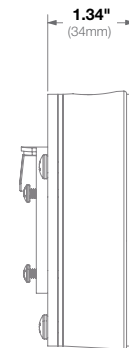
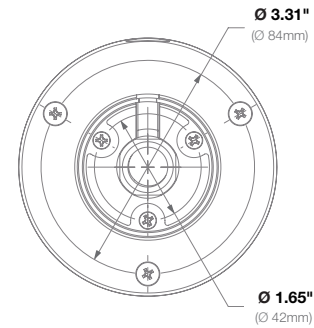
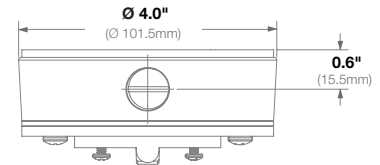
Gasket included (not shown in photo)

**Features:**

- Easy Installation and Superior Design
- Heavy Duty Enclosure Protection for Applications in Harsh Environments
- Die-Cast Aluminum is Resistant to Impact and Salt Damage

<b>Compatibility</b>	Compatible with Contera Micro Bullet
	Works with AV-EBAS-W

<b>Mechanical</b>	<b>Casing</b>	Die-cast aluminum
		IP66 weather proof standard
		IK-10 impact-resistant
	<b>Color</b>	White (Pantone P179-1C)
	<b>Dimensions</b>	See dimensional drawings below
<b>Weight</b>	<b>w/o Camera</b>	0.74lbs (335g)



† Replacement part for these models

# AV-WMJB-W

Wall Mount Bracket with Junction Box (White)



**Features:**

- Easy Installation and Superior Design
- Heavy Duty Enclosure Protection for Applications in Harsh Environments
- Die-Cast Aluminum is Resistant to Impact and Salt Damage

<b>Compatibility</b>	Compatible with 1.5" NPT Female
	Works with Contera Outdoor Dome and Contera Panoraminc

<b>Mechanical</b>	<b>Casing</b>	Die-Cast Aluminum
		IP66 Weather Proof Standard
		IK-10 Impact-Resistant
	<b>Color</b>	White (Pantone P179-1C)
	<b>Dimensions</b>	7.68" L (195.05mm) x 4.69" W (119.20mm)
<b>Weight</b>	<b>w/o Camera</b>	2.49lbs (1.13kg)

